

EN60598 IK08 IP66   

RIM 1012 07 757 R3 550 9006 0 \* xx

## RIMANO

Due to latest LED technology, proven technology of street lighting and the reduced weight of the luminaire the LED street light RIMANO offers maximum adaptability to individual lighting applications. Therefore RIMANO is not only cost- and energy-efficient but also easy to install and maintain.

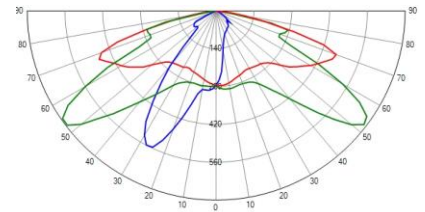


### Technical Data

Material	AlSi12, Top: Polycarbonat (AlSi12 on request)
Housing color	RAL 9006
Glass cover	safety flat glass
Application / optics	narrow street / R3
LED lifetime	L80 > 100 000 h
SDCM	MacAdam 5
Mounting	Side entry / Post top combined
Bracket diameter	42 / 60 / 76 mm (to be defined at order)
Tilting angle	+ 10° to -20° / +20°, adjustable in 5° steps
Weight	9,7 kg
Windage Area	0,067 m <sup>2</sup>
Temperature	-40°C to +50°C
Nominal voltage	220 - 240 VAC 50/60 Hz

### Light file

RIM 1012 757 R3 550



more on the Internet



### Specific data

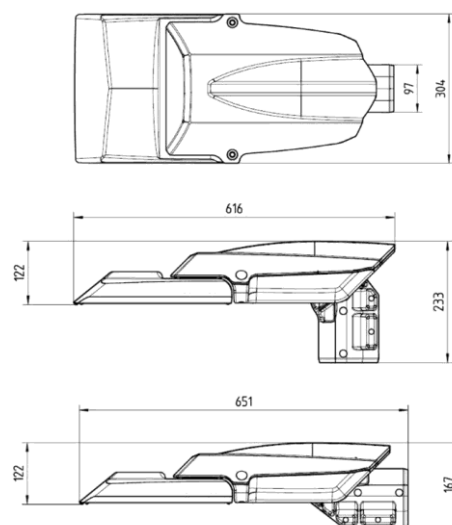
Color temperature	5700 K
CRI	75
System light output	2310 lm
Power consumption	22,6 W
∅ 0 h - 100 000 h	23,6 W
> 100 000 h	24,6 W
System efficacy	102 lm/W
LED current	550 mA
cos Phi	0,95
Driver typ	TR40
Surge protection	10kV / 6 kV <sup>1</sup>
Inrush current	45 A

\* Functions (more on request)

- 21 on / off
- 25 Luna Dimmer
- 33 Dali integrated

all values at Ta =25°C

<sup>1</sup> Common Mode / Differential Mode



Dimensional Drawing in mm