

EN60598 IK08 IP66  

RIM 1012 07 740 R0 550 9006 0 \* xx

## RIMANO

Due to latest LED technology, proven technology of street lighting and the reduced weight of the luminaire the LED street light RIMANO offers maximum adaptability to individual lighting applications. Therefore RIMANO is not only cost- and energy-efficient but also easy to install and maintain.

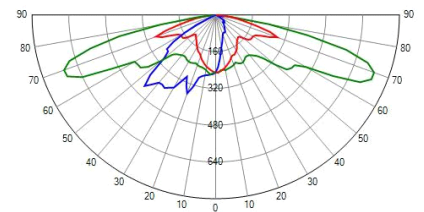


### Technical Data

|                      |   |
|----------------------|---|
| Material             | AlSi12, Top: Polycarbonat (AlSi12 on request) |
| Housing color        | RAL 9006                                      |
| Glass cover          | safety flat glass                             |
| Application / optics | normal wide / R0                              |
| LED lifetime         | L80 > 100 000 h                               |
| SDCM                 | MacAdam 5                                     |
| Mounting             | Side entry / Post top combined                |
| Bracket diameter     | 42 / 60 / 76 mm (to be defined at order)      |
| Tilting angle        | + 10° to -20° / +20°, adjustable in 5° steps  |
| Weight               | 9,7 kg  |
| Windage Area         | 0,067 m <sup>2</sup>                          |
| Temperature          | -40°C to +50°C                                |
| Nominal voltage      | 220 - 240 VAC 50/60 Hz                        |

### Light file

RIM 1012 740 R0 550



more on the Internet



### Specific data

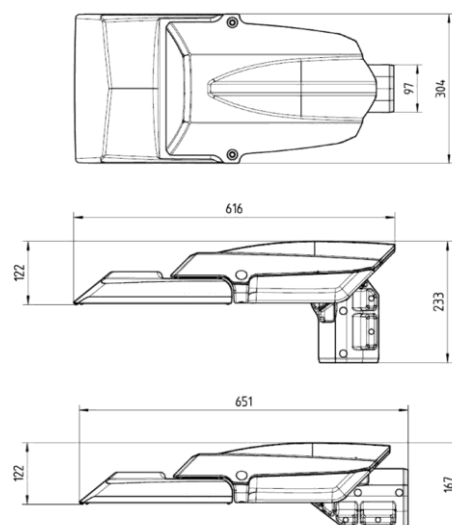
|                     |                          |
|---------------------|--------------------------|
| Color temperature   | 4000 K                   |
| CRI                 | 75                       |
| System light output | 2360 lm                  |
| Power consumption   | 22,6 W                   |
| ∅ 0 h - 100 000 h   | 23,6 W                   |
| > 100 000 h         | 24,6 W                   |
| System efficacy     | 104 lm/W                 |
| LED current         | 550 mA                   |
| cos Phi             | 0,95                     |
| Driver typ          | TR40                     |
| Surge protection    | 10kV / 6 kV <sup>1</sup> |
| Inrush current      | 45 A                     |

\* Functions (more on request)

- 21 on / off
- 25 Luna Dimmer
- 33 Dali integrated

all values at Ta =25°C

<sup>1</sup> Common Mode / Differential Mode



Dimensional Drawing in mm